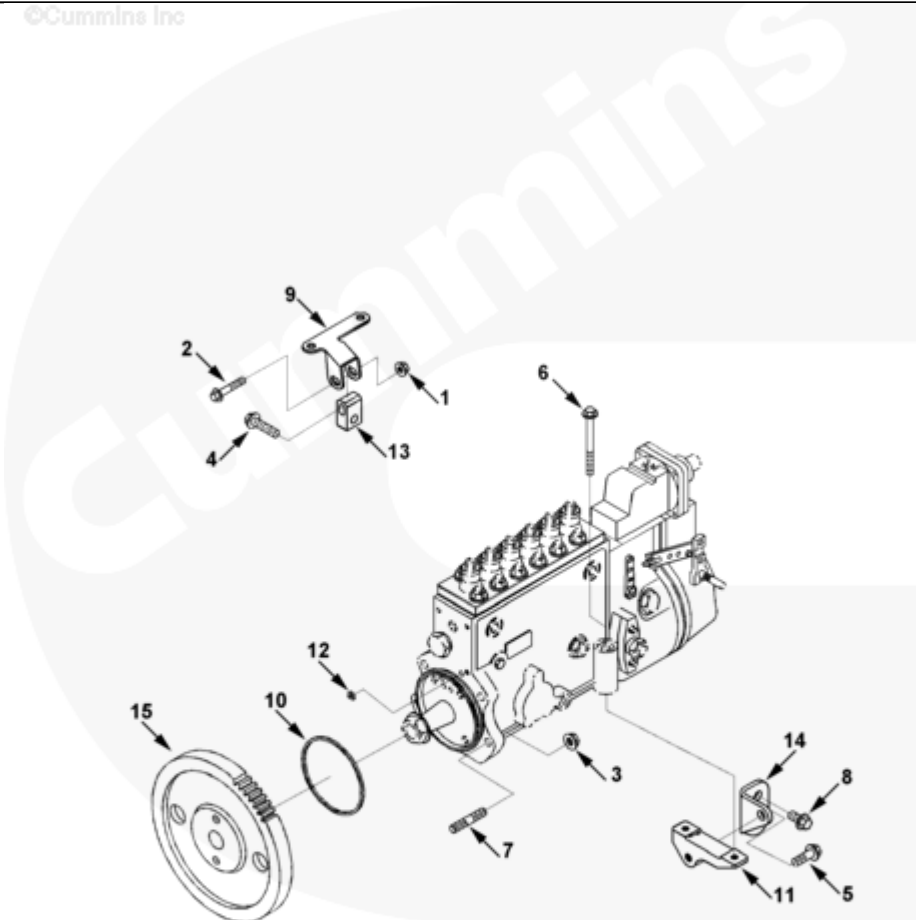




# Parts Catalog - Option Detail

Electronic Parts Catalog - Option Detail				
Option	Group	Graphic	Film Card	Date
FP98241-03	09.01	fp965gd	Z	02-AUG-04
<b>Engines</b>	6C8.3, C GAS PLUS CM556, G8.3, G8.3 CM558, GTA8.3 CM558, ISC CM2150, ISC CM554, ISC CM850, ISC8.3 CM2250, ISC8.3 G CM2180 C101, ISL CM2150, ISL CM554, ISL CM850, ISL G CM2180, ISL8.9 CM2150 L110, ISL8.9 CM2880 L112, ISL9 CM2150 SN, ISL9 CM2250, ISL9 CM2350 L101, ISL9 CM2350 L111, ISLE4 CM850, L GAS PLUS CM556, L8.9, L8.9 L121, L8.9G CMOH2.0 L125B, L9 CM2350 L116B, L9 CM2350 L119B, L9 CM2350 L120C, L9 CM2350 L123B, L9.3 L105, L9.5 L117, L9N CM2380 L124B, QSC8.3 CM2250, QSC8.3 CM2880 C102, QSC8.3 CM554, QSC8.3 CM850(CM2850), QSL9 CM2250, QSL9 CM2250 L115, QSL9 CM2350 L102, QSL9 CM2350 L107, QSL9 CM2350 L118, QSL9 CM2350 L122, QSL9 CM554, QSL9 CM850(CM2850), QSL9 G CM558, QSL9 M CM2250 L106, QSL9.3 CM2880 L113			



fp965gd

Cart	Ref No	Part Number	Part Description	Required	Remarks
<a href="#">View My Cart</a>					
		<a href="#">FP98241-03</a>	Fuel Pump Coupling		<a href="#">MR - COUPLING, FUEL PUMP...(More)</a>
					Engine Family: C Series
					Governor Type: RQVK
					Boost Control Provision: Yes
					Engine Cylinders: 6
					Fuel Pump Manufacturing /
					Model: Bosch P7100
					Aspiration: Sea Water
					Aftercooled
					Contains Brackets Needed to
					Mount to Marine Intake
					Manifold Cover
<input type="checkbox"/>	1	<a href="#">3900589</a>	Hexagon Flange Nut	1	M8 X 1.25
<input type="checkbox"/>	2	<a href="#">3901445</a>	Hexagon Flange Head Cap Screw	1	M8 x 1.25 x 45
<input type="checkbox"/>	3	<a href="#">3902662</a>	Hexagon Flange Nut	4	M10 x 1.50
<input type="checkbox"/>	4	<a href="#">3903464</a>	Hexagon Flange Head Cap Screw	1	M10 X 1.50 X 40.
<input type="checkbox"/>	5	<a href="#">3920622</a>	Hexagon Flange Head Cap Screw	1	M10 x 1.00 x 30
<input type="checkbox"/>	6	<a href="#">3913366</a>	Hexagon Flange Head Cap Screw	2	M8 X 1.25 X 90.
<input type="checkbox"/>	7	<a href="#">3282372</a>	Double End Plain Stud	4	
<input type="checkbox"/>	8	<a href="#">3903990</a>	Hexagon Flange Head Cap Screw	2	M10 X 1.50 X 20.
<input type="checkbox"/>	9	<a href="#">3921357</a>	Fuel Pump Brace	1	
<input type="checkbox"/>	10	<a href="#">3969698</a>	O-Ring Seal	1	
<input type="checkbox"/>	11	<a href="#">3926273</a>	Fuel Pump Support	1	
<input type="checkbox"/>	12	<a href="#">3926722</a>	Rectangular Ring Seal	1	
<input type="checkbox"/>	13	<a href="#">3930383</a>	Fuel Pump Support	1	
<input type="checkbox"/>	14	<a href="#">3930841</a>	Fuel Pump Support	1	
<input type="checkbox"/>	15	<a href="#">3931380</a>	Fuel Pump Gear	1	

